

# Puck Beacon IP-67

Puck Beacon with Epoxy IP-67 is an enterprise-grade Bluetooth beacon with high performance nRF52832 ARM-core based chipset. It is designed for industrial and commercial indoor/outdoor location services.

Puck Beacon is incorporated into an ultrasonic welded, high durability casing with UV/high temperature resistance (-40 C +85 C). Casing is filled with epoxy, to secure shock and humidity resistance of PCB. Antenna protected to secure signal strength min -65dbm.

The device can be supplied in PC/ABS industrial-grade mounting kit to enable quick and efficient screw mounting on all types of surfaces.



# Technical Specifications

<b>Dimensions</b>	<b>Diameter</b> <b>Height</b>	50 mm 20.5 mm
<b>Microcontroller</b>		Nordic Semiconductor nRF52832
<b>Connectivity</b>	<b>Bluetooth Range</b> <b>Available transmission power levels</b> <b>Sensitivity</b>	Bluetooth 5.0 compliant up to 70 meters 1 (-20dBm), 2 (-16dBm), 3 (-12dBm), 4 (-8dBm), 5 (-4dBm), 6 (0dBm), 7 (4dBm) -93dBm
<b>Battery and Power</b>	<b>Model</b> <b>Total Capacity</b>	2x ER14250 2400mAh
<b>Sensors</b>		three-axis accelerometer MEMS, +-2g/+-4g/+-8g/+-16g 1Hz to 5.3kHz ODR
<b>Functionalities</b>		motion detection
<b>Casing</b>	<b>Material</b> <b>Colors</b> <b>Protection</b>	UV resistant white IP-67
<b>Environmental Requirements</b>	<b>Operating Temperature</b> <b>Storage temperature</b> <b>Humidity (non-condensing)</b>	-40°C / + 85°C -5°C / +35°C from 0% to 95%
<b>Beacon Standards Compatibility**</b>	<b>iBeacon</b> <b>Kontakt.io Secure Profile</b> <b>Custom frames</b>	Yes Yes Yes
<b>Warranty</b>		12 months

# Technical drawings



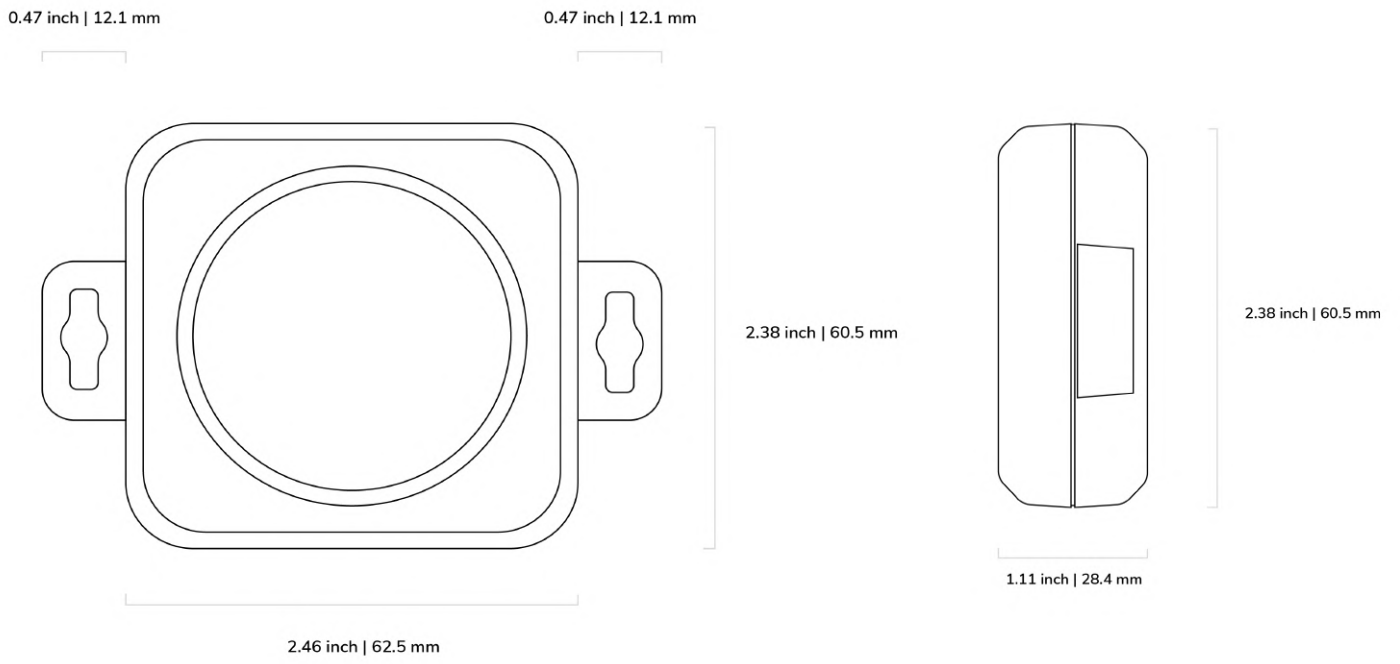
Picture 1 - front view of Puck Beacon IP-67 assembly in universal industrial mounting kit



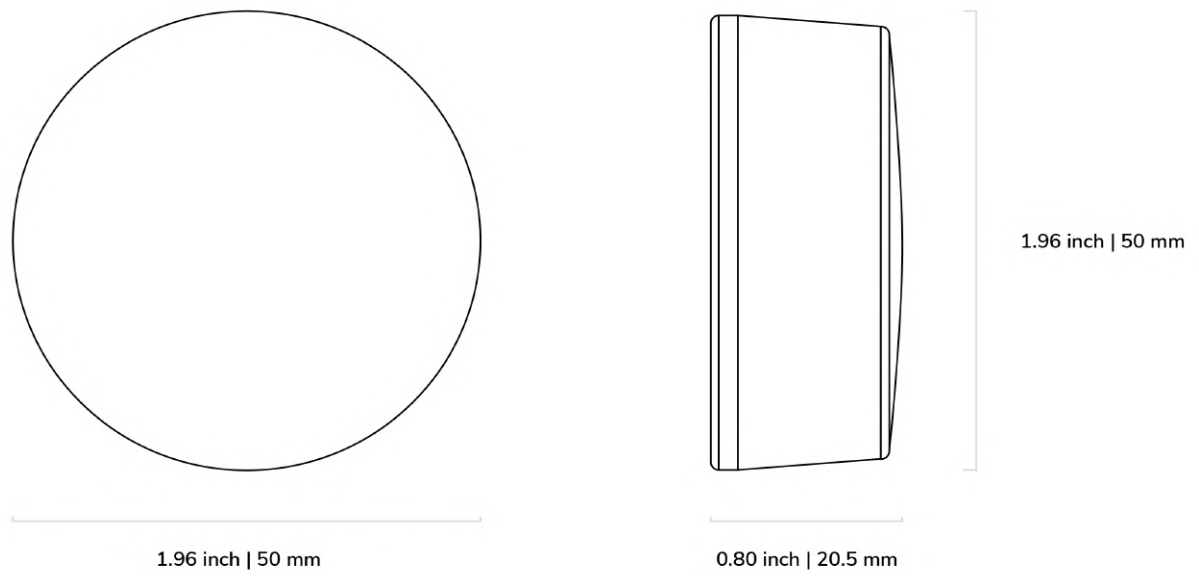
Picture 2 - rear view of Puck Beacon IP-67 assembly in universal industrial mounting kit



Picture 3 - epoxy layer protecting the PCB and antenna from damage and battery layout



Picture 4 - dimensional drawing of universal industrial mounting kit



Picture 5 - dimensional drawing of Puck Beacon with epoxy IP-67



# Get in Touch

## **Kontakt.io**

Stoczniewców 3, 30-709  
Kraków, Poland

T +48 123 793 445

E [hello@kontakt.io](mailto:hello@kontakt.io)

## **Kontakt.io**

19 W 34 Street, Suite 1018,  
New York Zip 10001

T +1 415-295-4558

E [hello@kontakt.io](mailto:hello@kontakt.io)